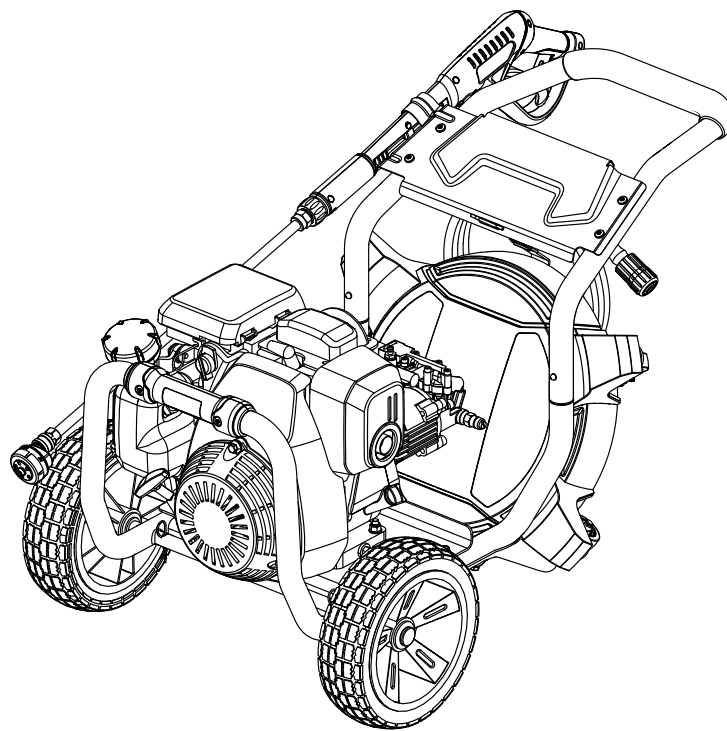


# REPAIR SHEET

BRAND <b>RYOBI</b>		DESCRIPTION <b>3400 PSI Pressure Washer</b>
MODEL NO. <b>RY803423H</b>	MFG. NO. <b>090079505</b>	



## TECHTRONIC INDUSTRIES POWER EQUIPMENT

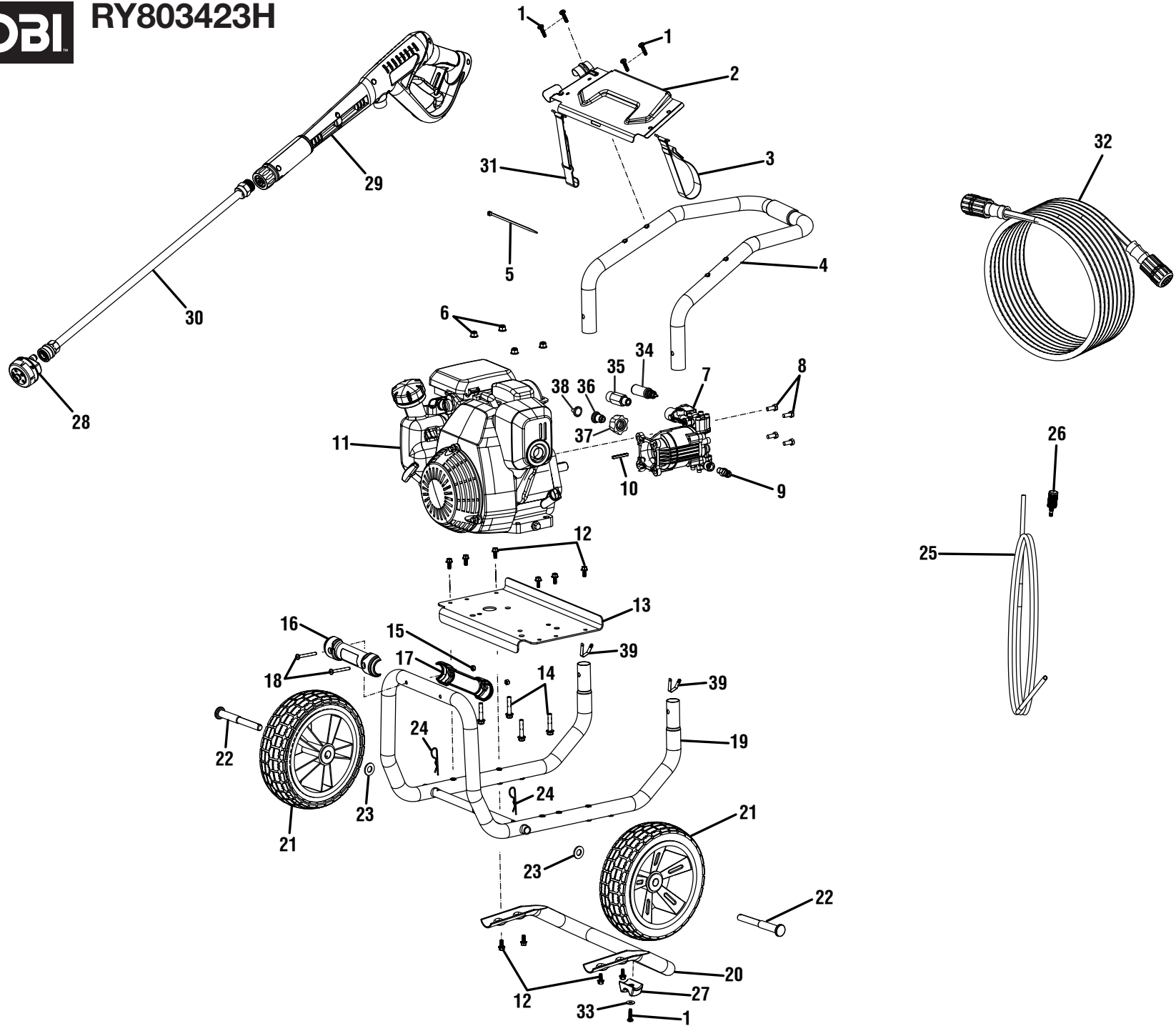
P.O. Box 1288, Anderson, SC 29622 ■ 1-800-525-2579 ■ [www.ryobitools.com](http://www.ryobitools.com)

998000385  
7-27-21 (Rev:01)

*The model number and manufacturing location will be found on a label attached to the product. Always mention this information in all communications regarding this product and when ordering parts.*

**RYOBI**

**RY803423H**





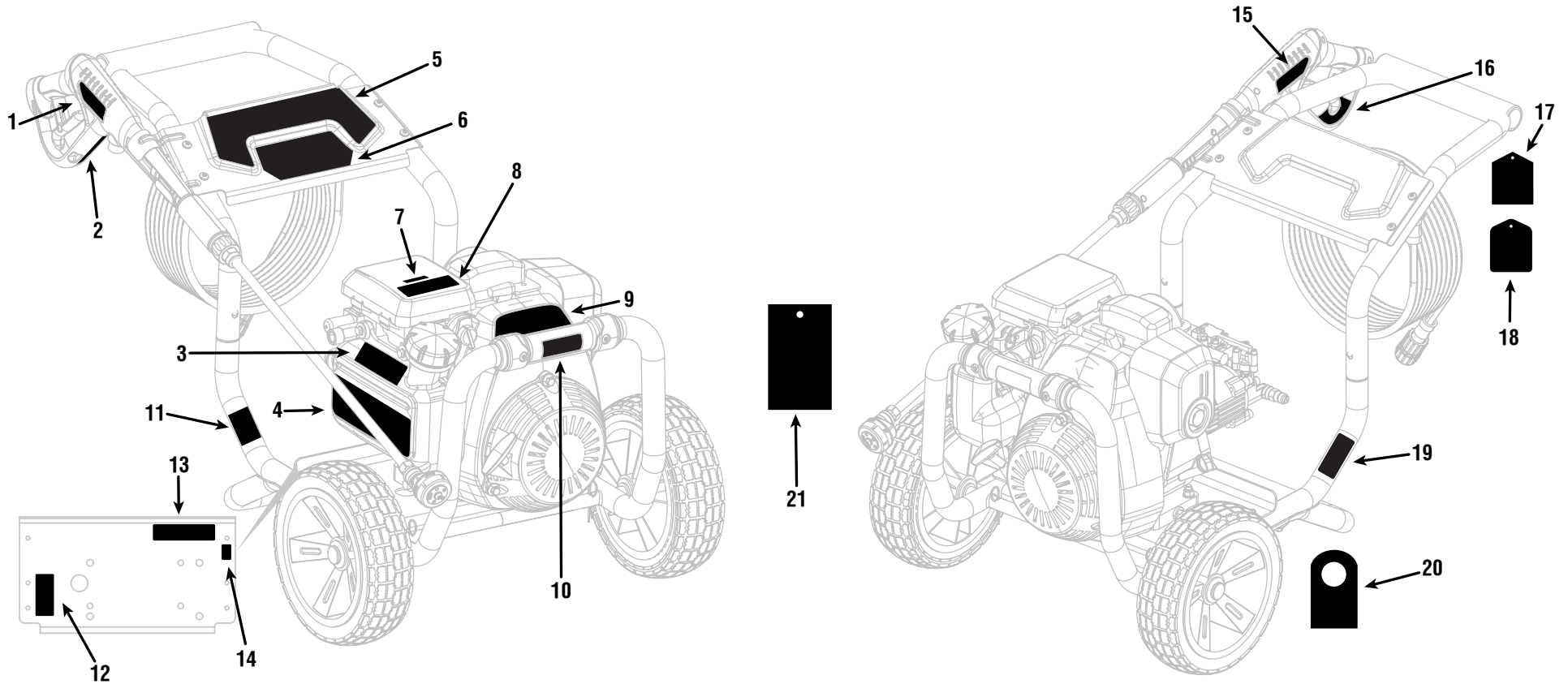
# RY803423H

## PARTS LIST

KEY NO.	PART NO.	DESCRIPTION	QTY.
1	660224009	Screw (M6 x 25 mm, T-30 Torx Pan Hd.)	5
2	638671028	Performance Panel	1
3	308350003	Hose Holder Strap	1
4	308638073	Handle Assembly	1
5	900333015	Cable Tie	1
6	678774002	Flange Lock Nut (M8)	4
7	308653114	Pump	1
8	661557001	Bolt (5/16 in.-24 UNC x 3/4 in., Hex Head)	4
9	678169004	Thermal Release Valve	1
10	678041007	Output Shaft Key (40 mm)	1
11	<b>NOTE A</b>	Engine	1
12	661505020	Flange Bolt (M6 x 16 mm)	10
13	638662029	Engine Plate	1
14	660764002	Flange Bolt (M8 x 40 mm, Hex Hd.)	4
15	678610006	Lock Nut (M6)	2
16	522951003	Handle Grip with Overmold (Front)	1
17	522951004	Handle Grip with Overmold (Back)	1
18	661503015	Screw (M6 x 48 mm, T30 Torx Hd.)	2
19	308471053	Main Frame Assembly	1
20	308774006	Rear Frame Assembly	1
21	308451083	Wheel	2

KEY NO.	PART NO.	DESCRIPTION	QTY.
22	620599044	Step Axle	2
23	638275002	Flat Washer (1/2 in.)	2
24	678238001	Hitch Pin	2
25	561399003	Chemical Siphon Tube	1
26	308103015	Chemical Siphon Filter	1
27	561307007	Rubber Foot	1
28	310448028	5-in-1 Nozzle	1
29	308760087	Trigger Handle	1
30	308506014	Wand	1
31	308350006	Surface Cleaner Hanger Adjustable Strap	1
32	308835121	High Pressure Hose	1
33	638128004	Washer (1/4 in.)	1
34	310924003	Unloader Valve Assembly	1
35	308862003	Outlet Tube	1
36	642058001	Inlet Filter Connector	1
37	310993003	Inlet Filter Adapter Insert	1
38	308662001	Inlet Filter Screen	1
39	308421004	Spring Clip Assembly	2
	<b>Not Shown:</b>		
	998000383	Operator's Manual	1
	308999073	Surface Cleaner	1

**NOTE A:** Techtronic Industries Power Equipment, Inc., will not provide complete engines as replacement parts. Engines are covered through the engine manufacturer's warranty. Consult the accompanying engine manual or contact our service department for assistance.



**LABELS**

KEY NO.	PART NO.	DESCRIPTION	QTY.
1	940851520	Wand Logo Label	1
2	940904018	Trigger Handle Rating Label	1
3	940872003	E85 Label	1
4	940894022	Danger Icon Label	1
5	940851681	Logo Label	1
6	940851682	Performance Label	1
7	940803288	Canadian EMC Label	1
8	940851409	Hot Surface Label	1

KEY NO.	PART NO.	DESCRIPTION	QTY.
9	940851509	Engine Brand Label	1
10	940705494	RYOBI Standard Logo Label	1
11	940851408	49 State Label	1
12	940676024	Data Warning Label	1
13	940947016	Combustion Label	1
14	940871016	Add Oil Label	1
15	940654083	Trigger Handle Warning Label (EN)	1

KEY NO.	PART NO.	DESCRIPTION	QTY.
16	940654228	Trigger Handle Warning Label (FR/SP)	1
17	941609001	Nozzle Hangtag	1
18	918016034	Quick Start Label/Panel	1
19	941486008	Inquiries Label	1
20	961454001	Dipstick Hangtag	1
21	940851346	Warning/Notice Hangtag	1